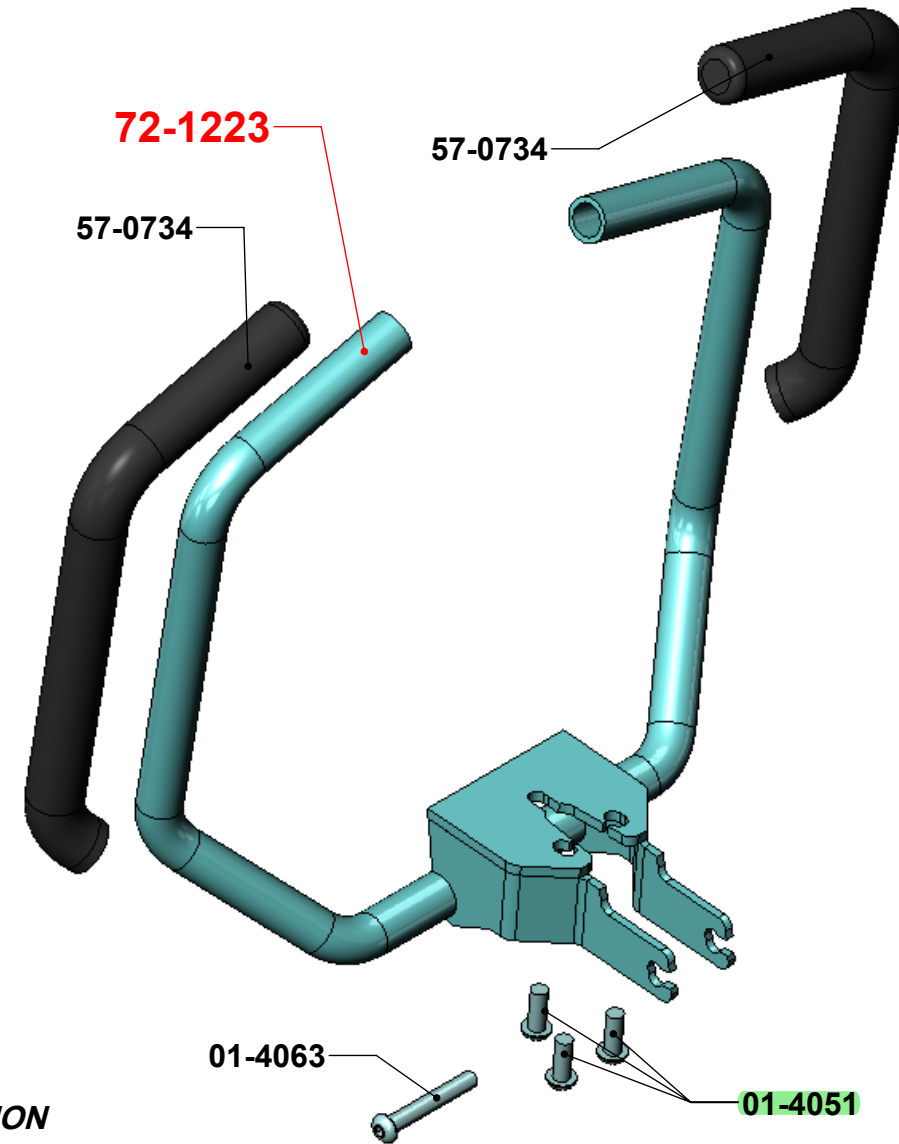
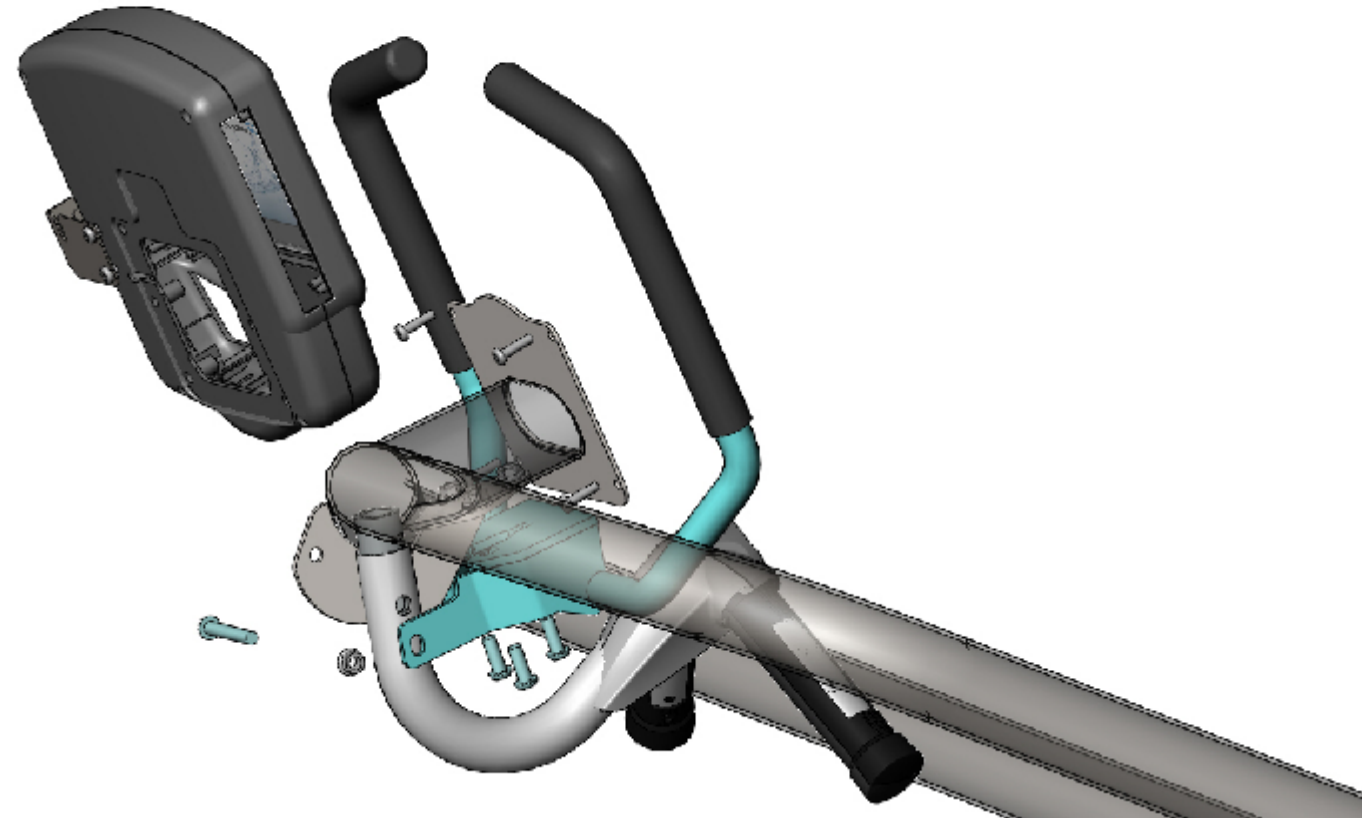




Red: PAINTED ITEMS
Blue: KITS

1. All labeled components are to be assembled before shipment unless otherwise noted.
2. All bearings are to be pressed in with force applied to outer ring only.
3. All hardware to be torqued to specs listed in chart below.
4. Special notes if any are shown below.



INSTRUCTIONS:

REMOVE CONSOLE ASSY SCREWS WITH PHILLIPS #2, UNPLUG WIRE HARNESSES NOTING PLUG CONFIGURATION
 REMOVE ERGO BAR FASTENERS USING 9/16" FLAT WRENCH AND 7/32" ALLEN WRENCH
 TAKE CARE TO PREVENT NUTS INSIDE FRAME DROPPING INTO HANDLE BAR CAVITY,
 DO NOT REMOVE HEART RATE SENSOR GRIP ASSEMBLY TO AVOID DAMAGE TO WIRE HARNESS,
 RETAIN 4 NUTS AND DISCARD SCREWS, REASSEMBLE USING LONGER SCREWS PROVIDED IN KIT,
 LOCATE HANDLE ASSEMBLY AGAINST BOTTOM OF CONSOLE FLANGE MOUNT AS SHOWN: SEE INSET
 INSERT SCREWS CAREFULLY TO PREVENT PINCHING WIRE HARNESS INSIDE TUBE.
 TIGHTEN SECURELY BEFORE REINSTALLING CONSOLE.
 RECONNECT WIRE HARNESSES AS NOTED WHEN REMOVED.
 REINSTALL 4 SCREWS MOUNTING CONSOLE. CONFIRM CONSOLE AND HEART RATE FUNCTION.

Number	Nitro Plus/QTY.	DESCRIPTION
01-4063	1	BOLT BH 3/8 -16 x 2 1/2"ZINC
01-4051	3	BOLT BH , 3/8 -16 x 1" ZINC
72-1223	1	K2 CONSOLE HANDLE, HONIX
57-0734	2	CLOSED END GRIP

Bolt Torque Specifications		
Size	Grade 5	Grade 8
	Torque (ft-lbs)	Torque (ft-lbs)
1/4-20	8	12
1/4-28	10	14
5/16-18	17	25
3/8-16	30	45
7/16-14	50	70
1/2-13	75	110
1/2-20	90	120
5/8-11	150	220
5/8-18	180	240

K2 CONSOLE HANDLE KIT
95-0647

REV A

Customer Service & Parts 800/ 235-2233
 General Parts Requests: parts@medfitsys.com
 Field Service Requests: servicerequest@medfitsys.com
 GSA Parts Requests: gsa@medfitsys.com
 Med-Fit Systems, Inc. 800/ 831-7665

www.medfitsystems.com